

9041523



220-240 V 50/60 Hz

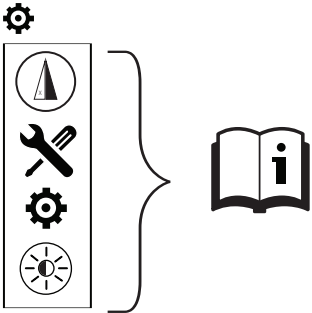


2.4GHz

0.0025W



RH10-90% 1-1100 lux +/- 20% max. 10A <math><0.65W</math>



sylvania-lighting.com/connected-building

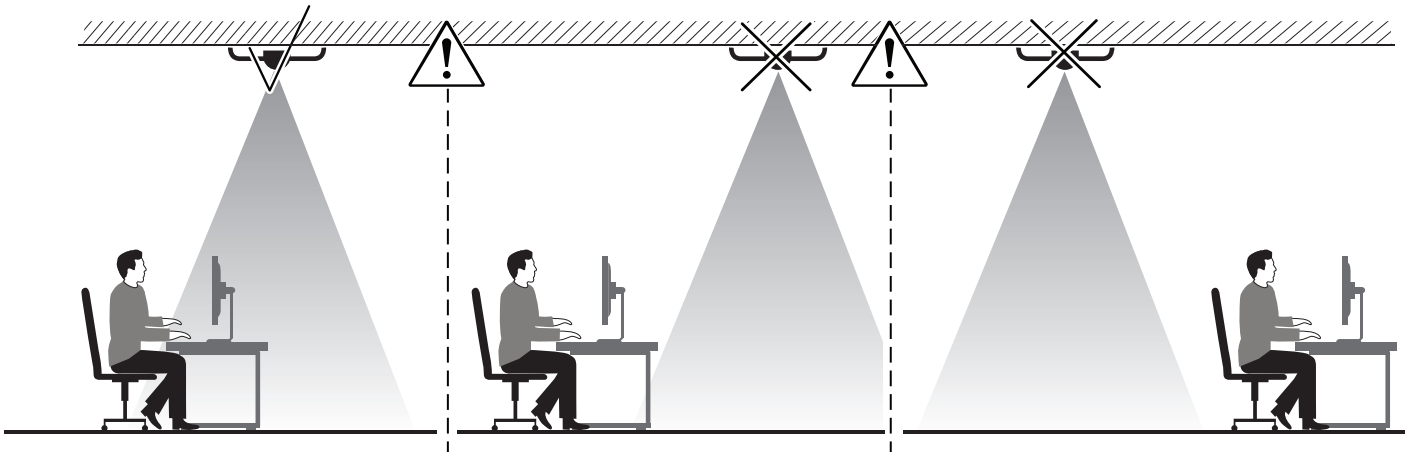
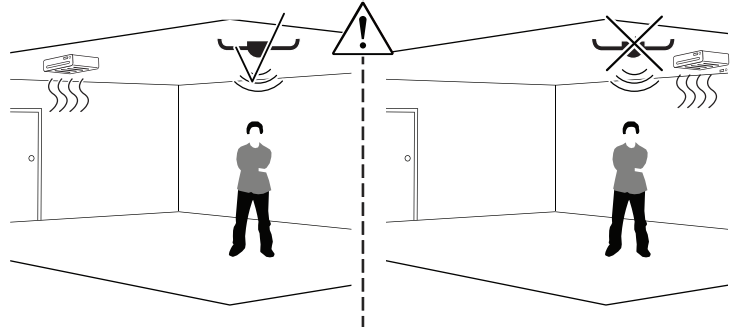
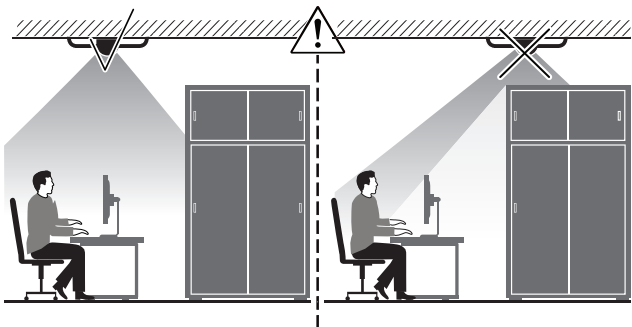
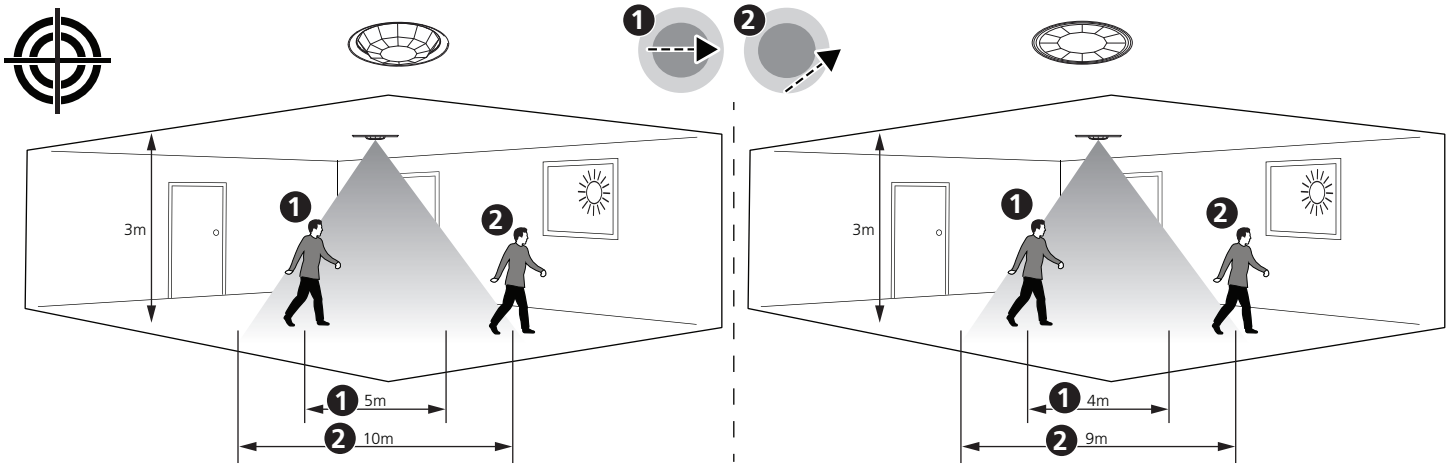
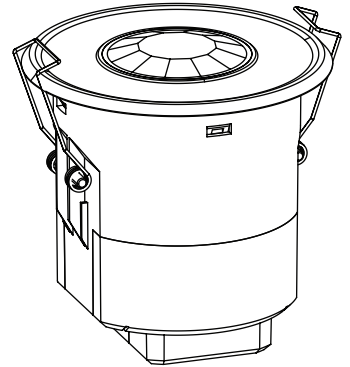


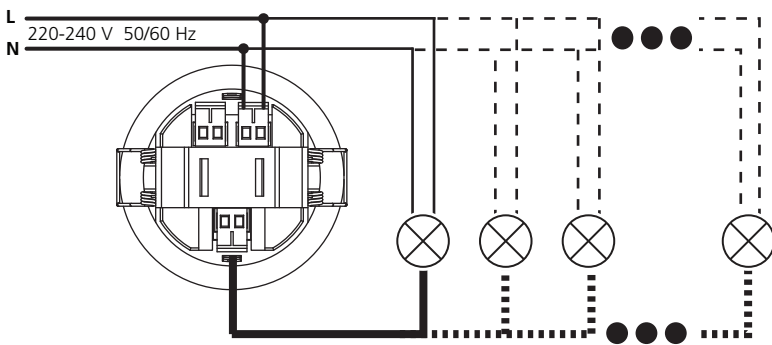
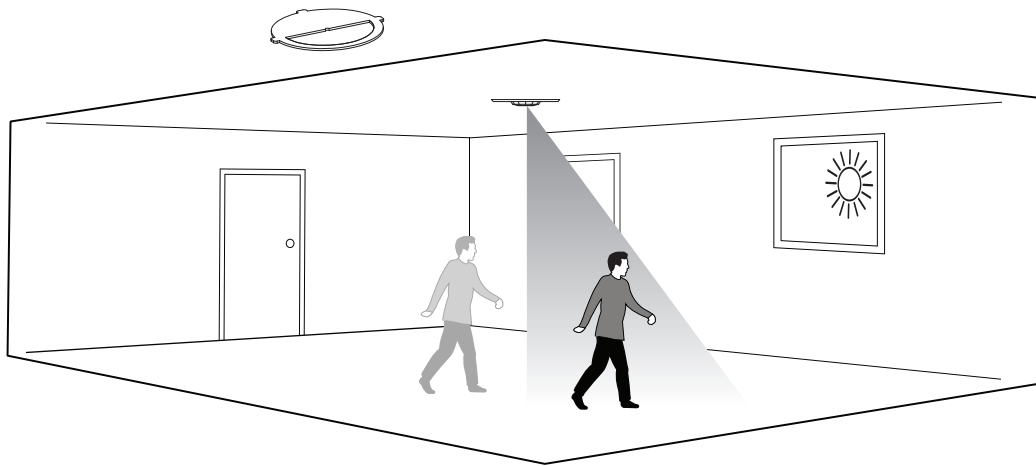
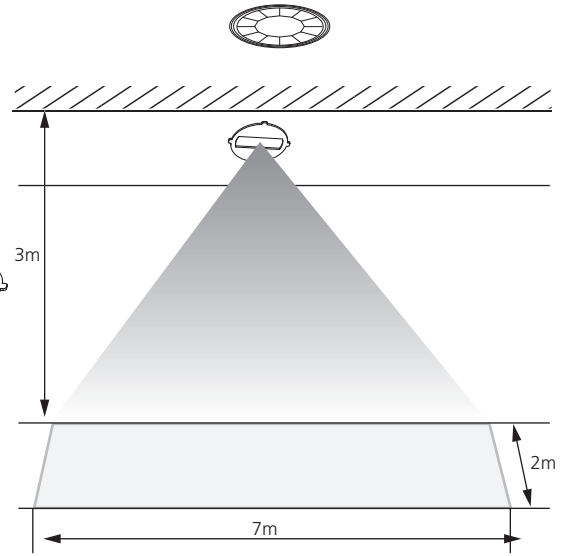
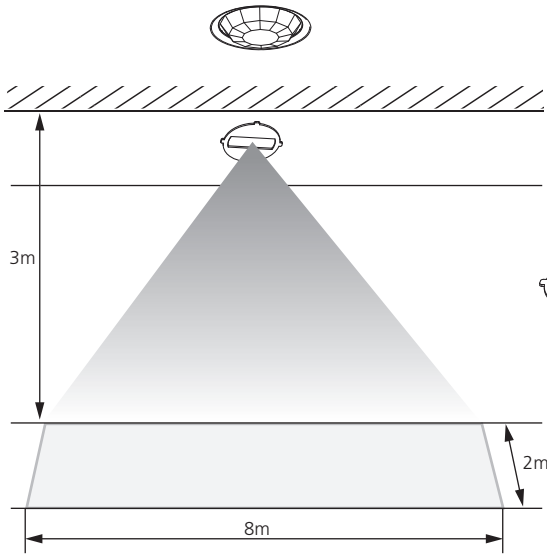
IOS 12+

<5m

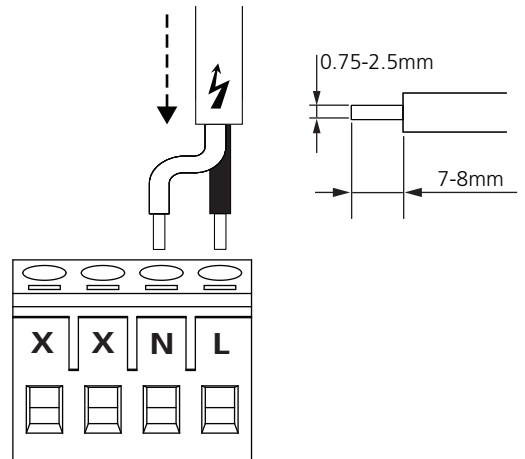


sylvania-lighting.com/connected-building

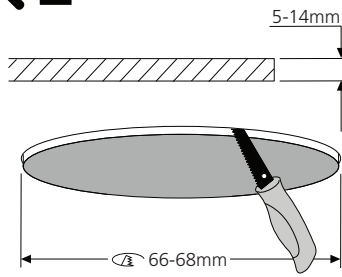




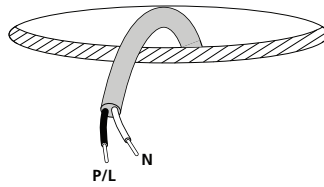
DALI - Total Max. 40 pcs.



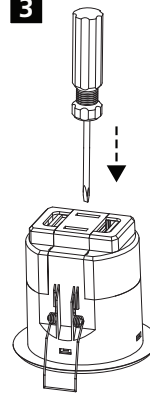
1



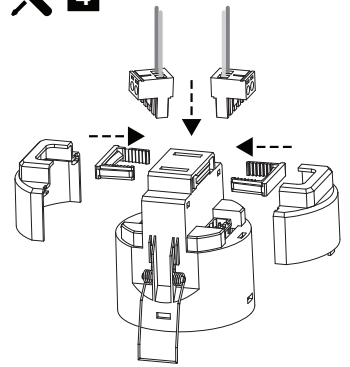
2



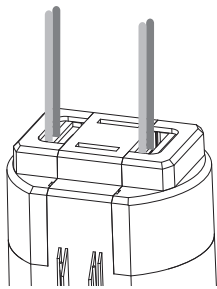
3



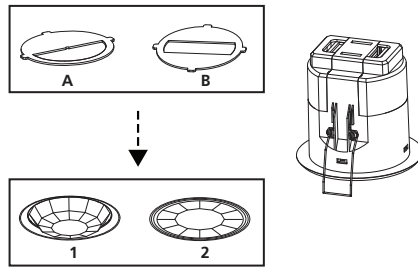
4



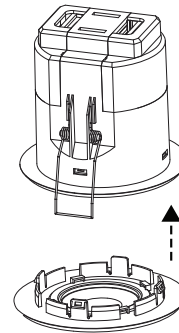
5



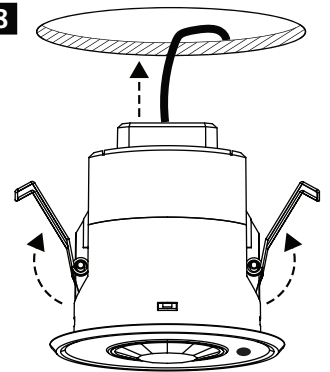
6



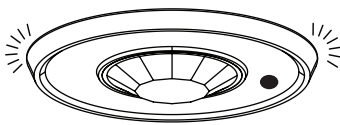
7



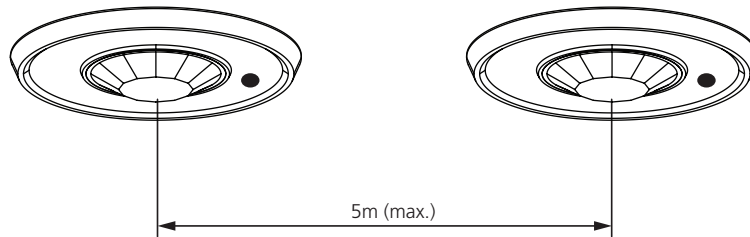
8



9

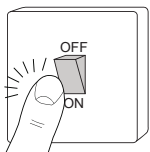


10



1

230-240 V ~ 50/60 Hz



2



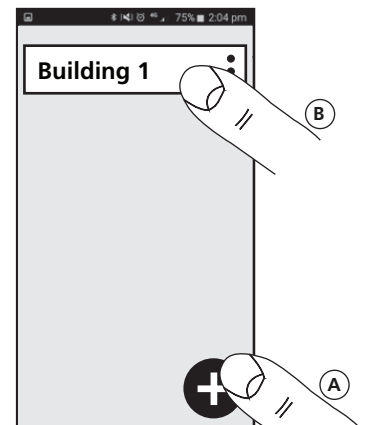
Available on the App Store



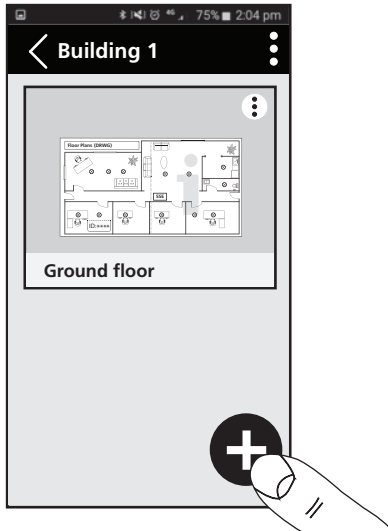
IOS 12+



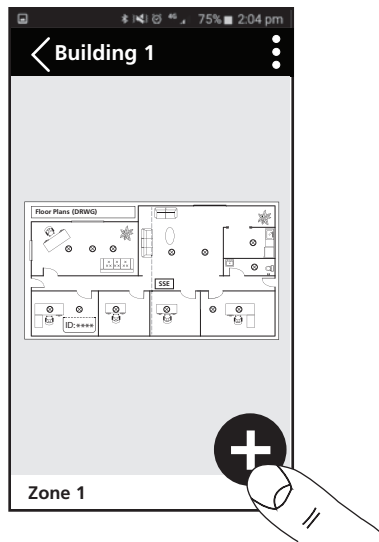
3 Project



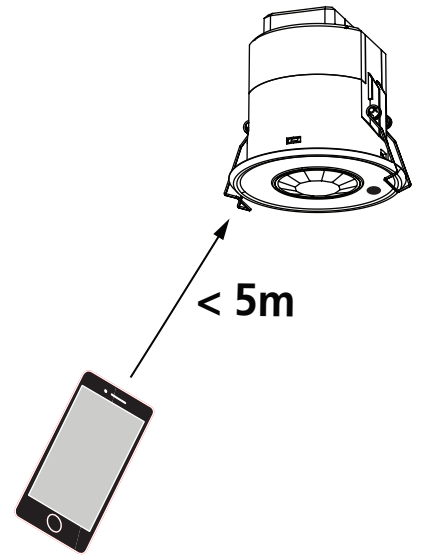
4 ⚙️ Area



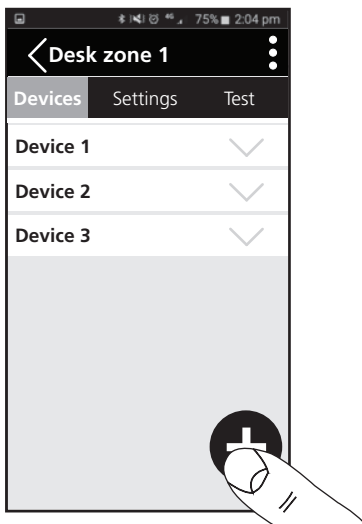
5 ⚙️ Zone



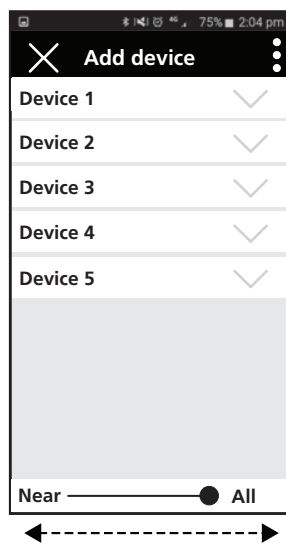
6 ⚙️



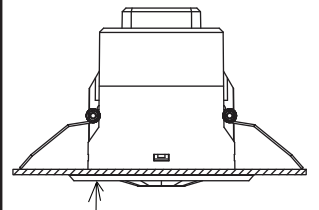
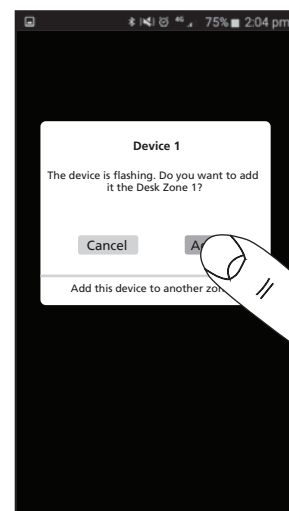
7 ⚙️



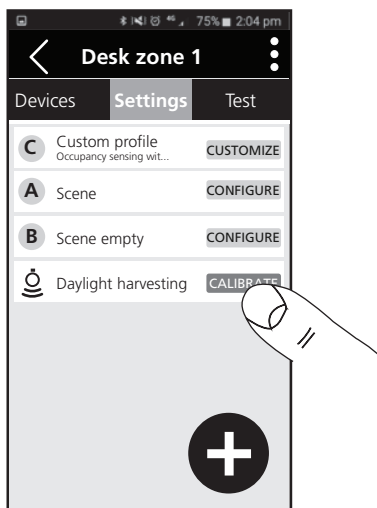
8 ⚙️



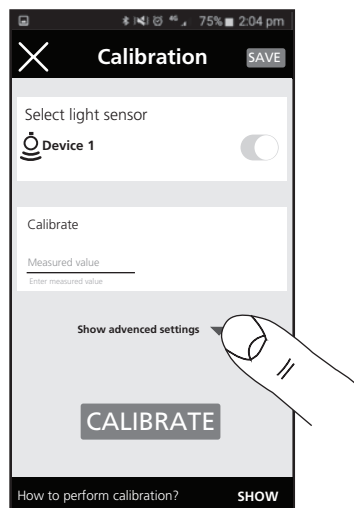
9 ⚙️



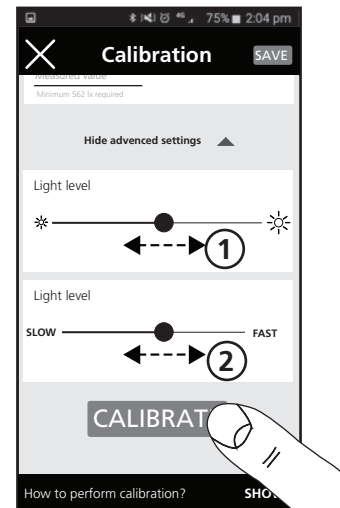
1 ⚙️



2 ⚙️



3 ⚙️



1

